

Precision Grading with a Blade

Universal compatibility. Nothing else like it.

Many prefer a grader blade over a box grader. Now you can work in windrows with the ability to adjust the working width of your precision grade. Smooth operation, and legendary Level Best performance.



Side-shift to reach and place windrow.



Meet the new "King of Cut!"
Precision grading to within **.01"** of spec.



Cuts sod and topsoil like a knife.



Compatible with all power and guidance systems.
Highly versatile in manual mode.

Shown equipped with available Level Best EarthWorks Go guidance system

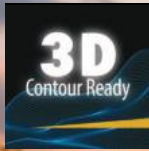
Precise grades to within **0.1"** of spec let you reduce material overage estimates to help win more contracts

- The only Precision Grader Blade with Mix & Match compatibility
- No daily maintenance - helps maximize profitable uptime
- Faster to achieve a consistently smooth, highly accurate grade
- One of the most flexible and productive attachments available
- Optional end plates carry and guide material

LevelBestGrading.com 800-342-0905

Made in the USA by ATI Corp. 250 Earland Drive, New Holland, PA 17557

The New King of Cut!



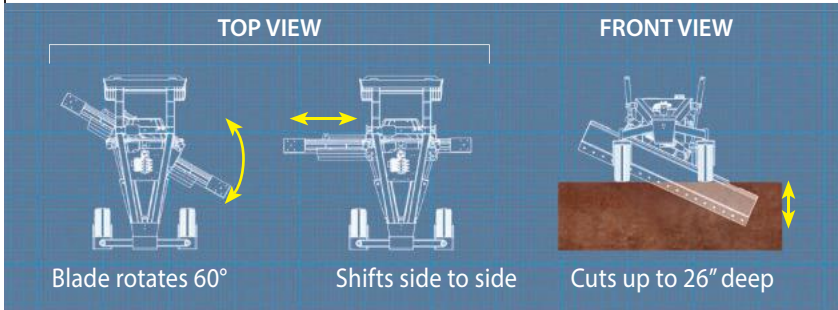
Level Best GB 108 Precision Grader Blade
Starting at \$24,490

SPECIFICATIONS

Description	Amount
Blade Lift	6.94"
Blade Dig	7.43"
Side Shift	+/- 13"
Rotation	+/- 30 degrees
Max Tilt (one cylinder up, one down)	24.5 degrees
Weight	2,620 lbs
Moldboard Width	108"

COMPATIBILITY

Compact Track Loaders		Guidance Systems
Caterpillar	Volvo	Trimble
Deere	JCB	Topcon
Bobcat	Takeuchi	Leica
Case	Gehl	Level Best
New Holland	Mustang	Earthworks GO
Kubota	Yanmar	



Search "Level Best Grading"



Level Best Is Precision Grading. It's All We Do.

LevelBestGrading.com
800-342-0905